

**Greenhouse Smart 2x3 meter**

Rasēja

20.03.2024

Pasūtītājs



**WEISA**

Title Page


Lapa 1

TECHNICAL SPECIFICATION			
№	Description	Measures	Quantity
	<b>Greenhouse frame COMFORT (2023)</b>		
1	Frame screws 5,5x19	pcs	260
2	Screws for polycarbonate 4,8x19	pcs	340
3	Self-tapping screws 4,8x19	pcs	125
4	Washers for polycarbonate 5.5x30x1.0mm	pcs	250
5	Roof skates 1,05m	pcs	9
6	Door handle	set	Ø 1
7	Hinges	pcs	6
8	Hooks	pcs	3
9	Door stopper	pcs	2
10	Polycarbonate 2,1x6m + 2,1x1,35m / or	sheets	2+1
	Cut to size polycarbonate (1 boxes = 7 sheets / 1,50x1,05m + 3 sheets / 1,03x1,35m	boxes	2

Part name	Quantity
FW 2	1
D	4
Frame	2
S1	2
FW1	1
RF	6
Door	1
Window	2
Side window	optional

### Attention!

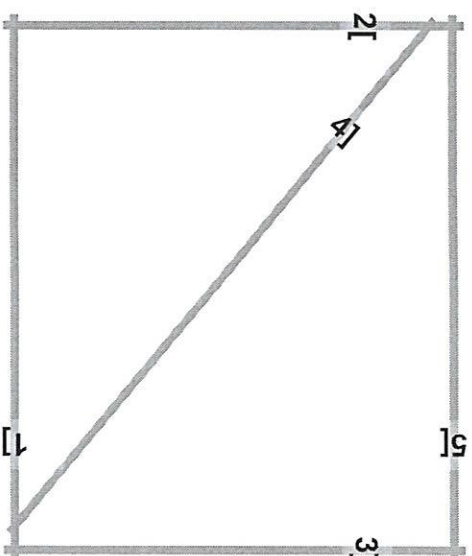
Greenhouse frame is meant to be mounted on foundation. During winter season snow cover from greenhouse roof needs to be cleared and install temporary wooden support beams if needed.

<b>Greenhouse Smart 2x3 meter</b>				Specification
Raseņa		20.03.2024		
Pasūtītājs				Lapa 2




Drawing	D	Quantity	4	Screws	12
---------	---	----------	---	--------	----

Item ID	QTY	Length
2,3	2	~ 803.7 mm
4	1	~ 1162.0 mm
1,5	2	~ 947.9 mm
<b>Meterage</b>		<b>4.665</b>

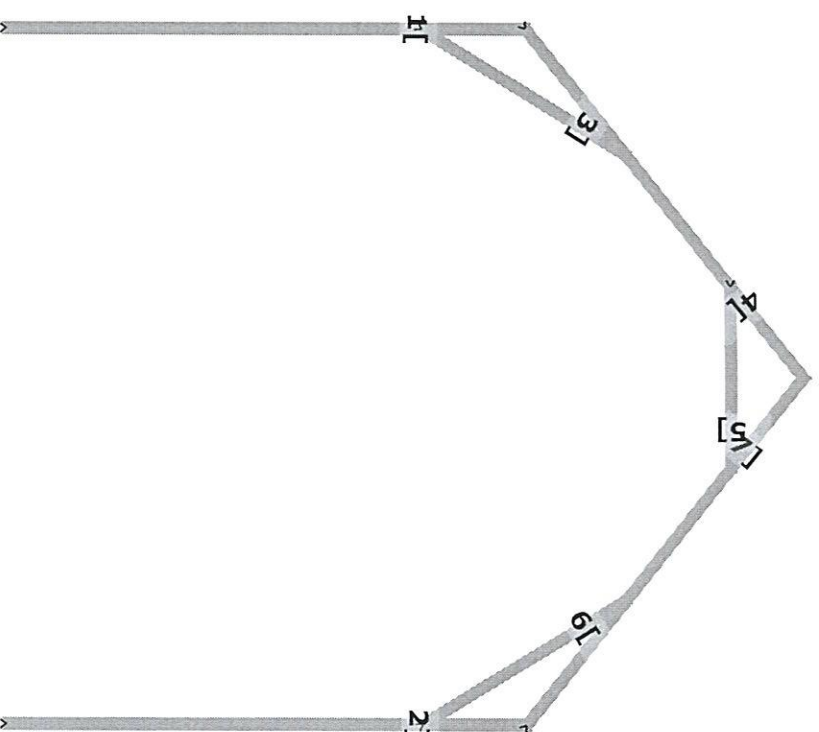


Bracket indicates the orientation of the profile


<b>Greenhouse Smart 2x3 meter</b>			 <b>WEISA</b>	
Rasēja		20.03.2024		Frame set: D
Pasūtītājs				Lapa 4

Drawing	Frame	Quantity	2	Screws	18
---------	-------	----------	---	--------	----

Item ID	QTY	Length
1,2	2	~ 1514.9 mm
3	1	~ 710.7 mm
4,7	2	~ 1295.9 mm
5	1	~ 540.0 mm
6	1	~ 709.7 mm
<b>Meterage</b>		<b>7.582</b>



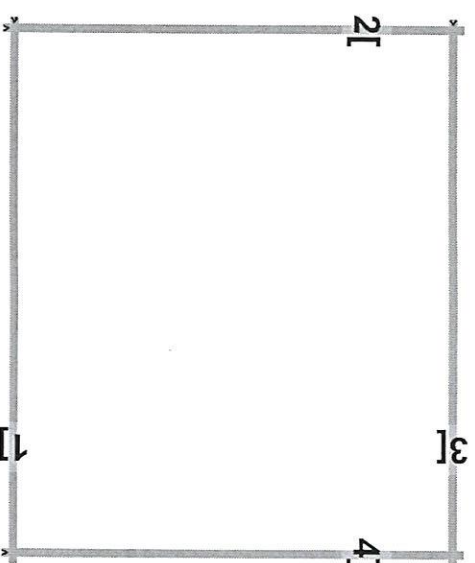
Bracket indicates the orientation of the profile

<b>Greenhouse Smart 2x3 meter</b>			
Rasēja		20.03.2024	
Pasūtītājs			Frame set: Frame
			Lapa 5




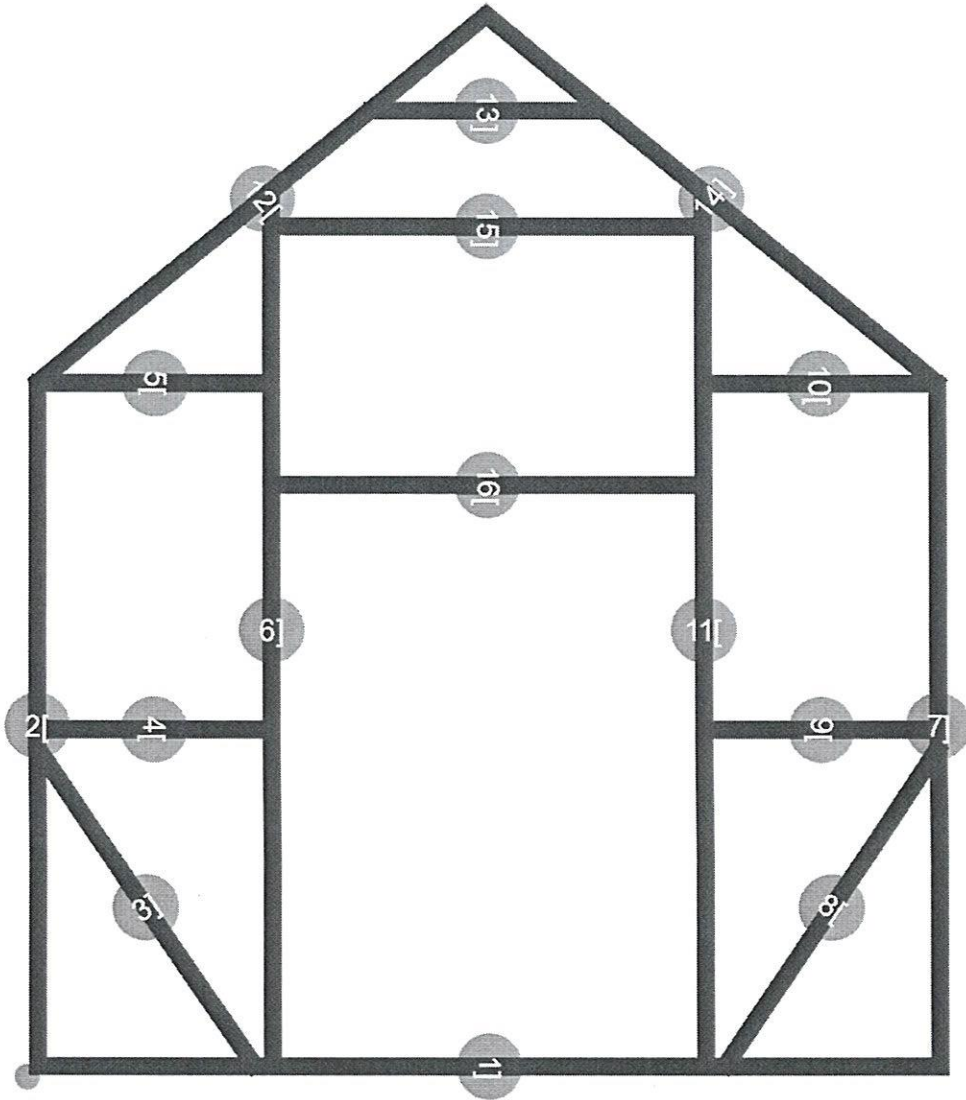
Drawing	S1	Quantity	2	Screws	8
---------	----	----------	---	--------	---

Item ID	QTY	Length
2,4	2	~ 803,7 mm
1,3	2	~ 947,9 mm
Meterage		3.503



Bracket indicates the orientation of the profile

<b>Greenhouse Smart 2x3 meter</b>			
Raseņa		20.03.2024	
Pasūtītājs			<b>Frame set: S1</b>
			<b>Lapa 6</b>

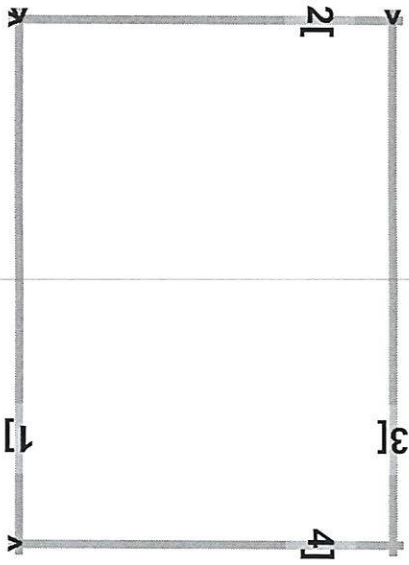


Designed using FrameBuilder-MRD.  
[www.framebuilder-mrd.com](http://www.framebuilder-mrd.com)


Generated:  
2023-04-27 14:19:02 +0300

Drawing	RF	Quantity	6	Screws	8
---------	----	----------	---	--------	---

Item ID	QTY	Length
2,4	2	~ 688.1 mm
1,3	2	~ 947.9 mm
Meterage		3.272



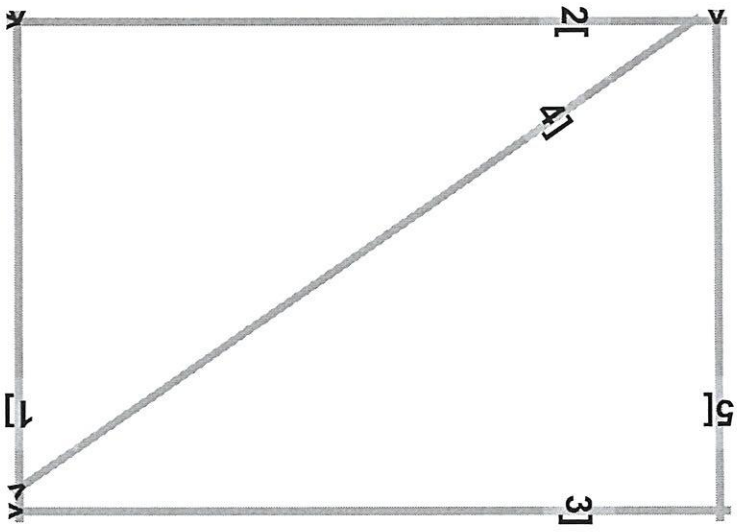
Bracket indicates the orientation of the profile

<b>Greenhouse Smart 2x3 meter</b>				
Rasēja		20.03.2024		Frame set: RF
Pasūtītājs				Lapa 8




Drawing	Door	Quantity	1	Screws	12
---------	------	----------	---	--------	----

Item ID	QTY	Length
2,3	2	~ 1258.1 mm
4	1	~ 1459.2 mm
1,5	2	~ 888.0 mm
Meterage		5.751

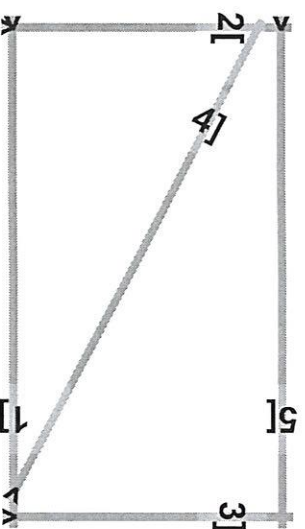


Bracket indicates the orientation of the profile


<b>Greenhouse Smart 2x3 meter</b>				<b>Frame set: Door</b>	<b>Lapa 9</b>
Rasēja		20.03.2024			
Pasūtītājs					

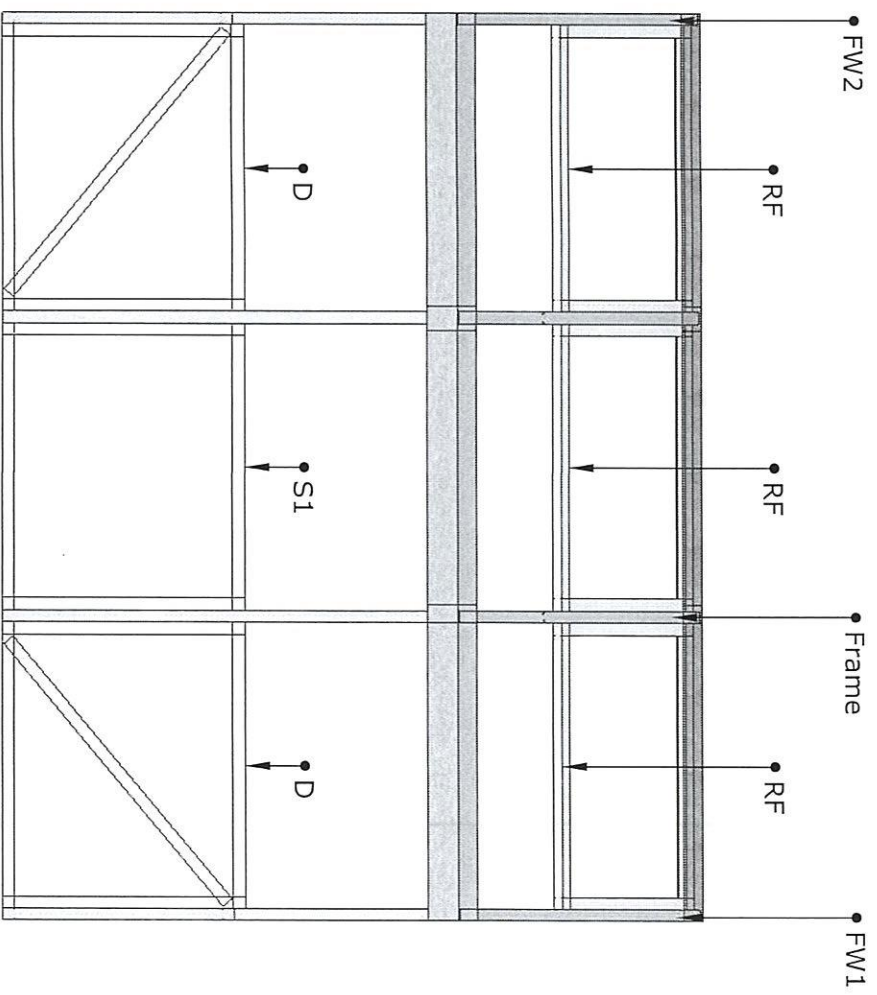
Drawing	Window	Quantity	2	Screws	12
---------	--------	----------	---	--------	----

Item ID	QTY	Length
2,3	2	508.0 mm
4	1	~ 943.9 mm
1,5	2	~ 888.0 mm
<b>Meterage</b>		<b>3.736</b>



Bracket indicates the orientation of the profile

<b>Greenhouse Smart 2x3 meter</b>				<b>Lapa 10</b>
Rasēja		20.03.2024		
Pasūtītājs			Frame set: Window	



**Greenhouse Smart 2x3 meter**

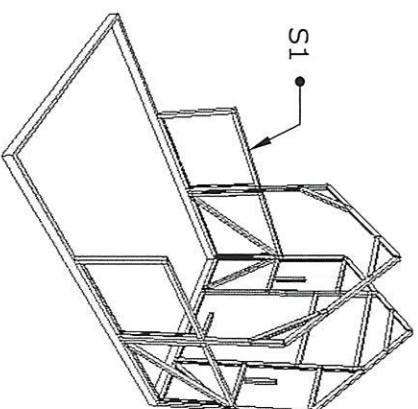
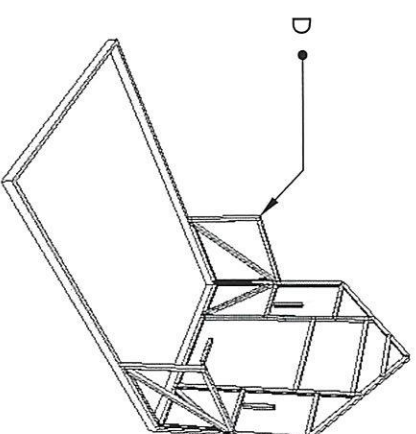
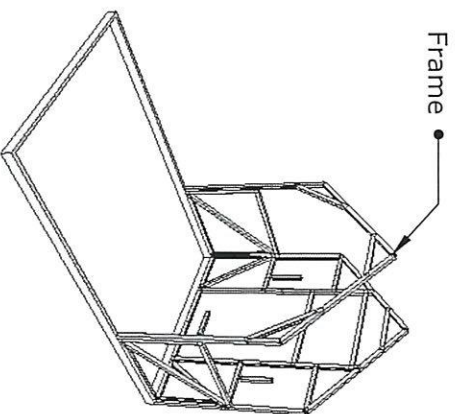
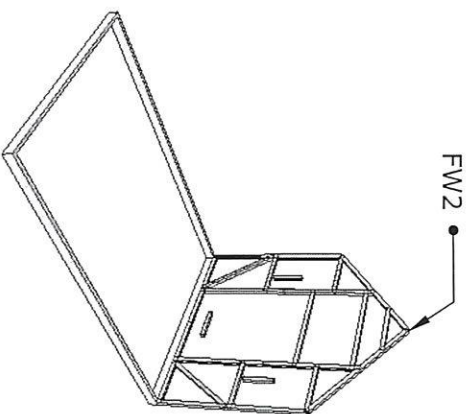


Rasēja

20.03.2024

Assembly: Left view

Pasūtītājs



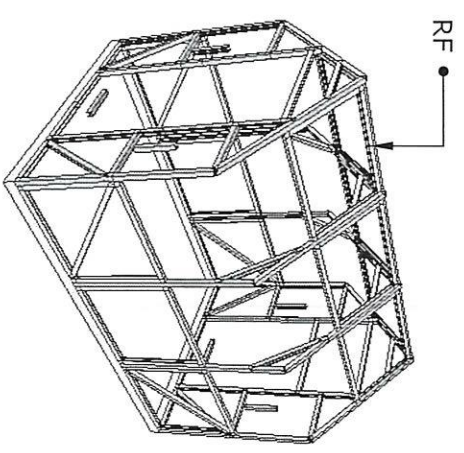
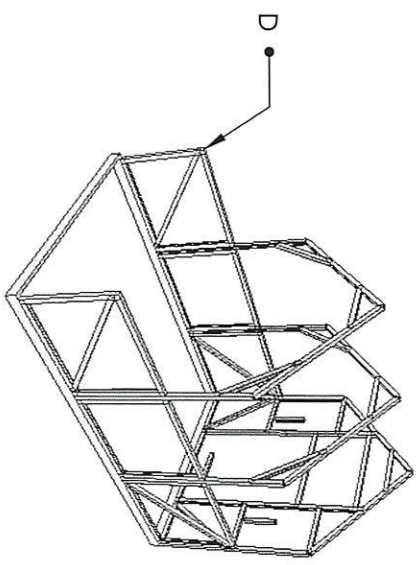
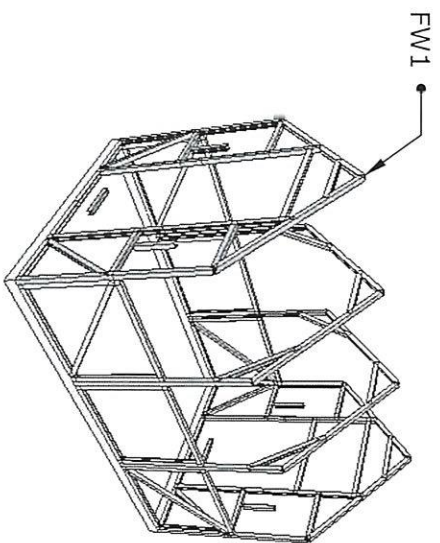
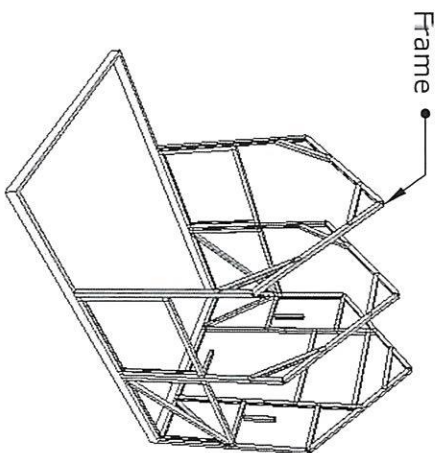
**Greenhouse Smart 2x3 meter**



Assembly step 1-4

Rasēja  
Pasūtītājs

20.03.2024



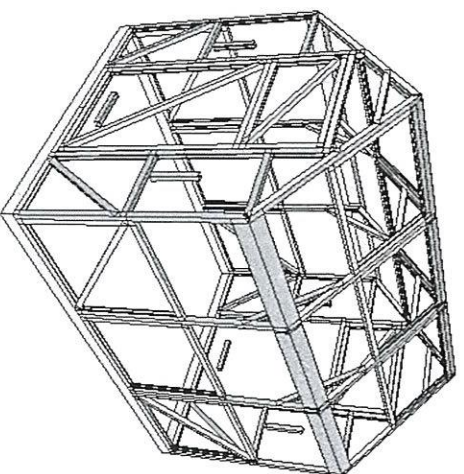
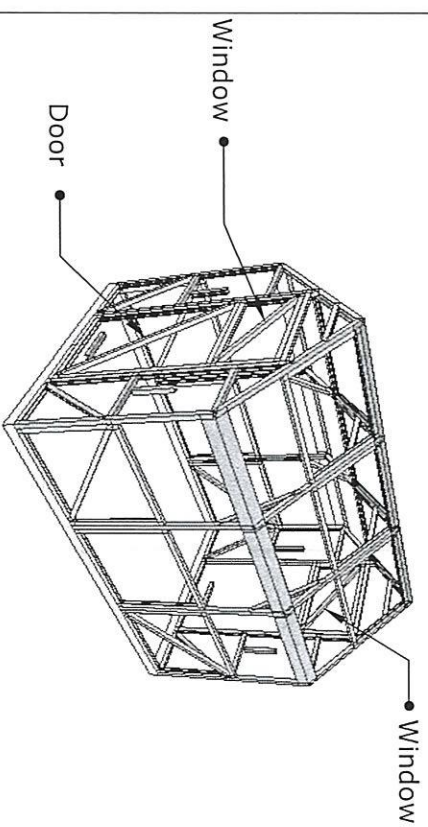
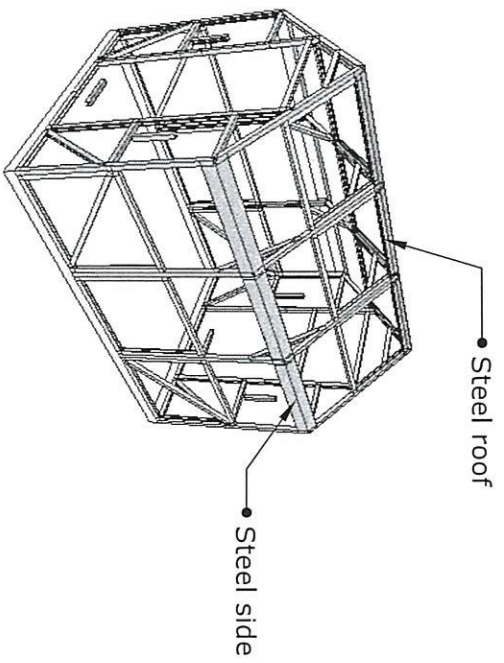
**Greenhouse Smart 2x3 meter**



Assembly step 5-8

Rasēja		20.03.2024
Pasūtītājs		





### Greenhouse Smart 2x3 meter

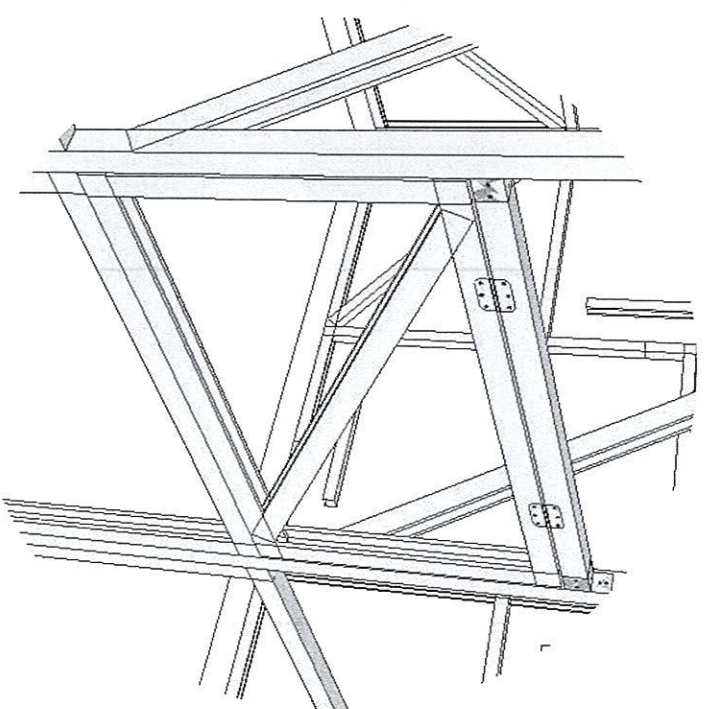
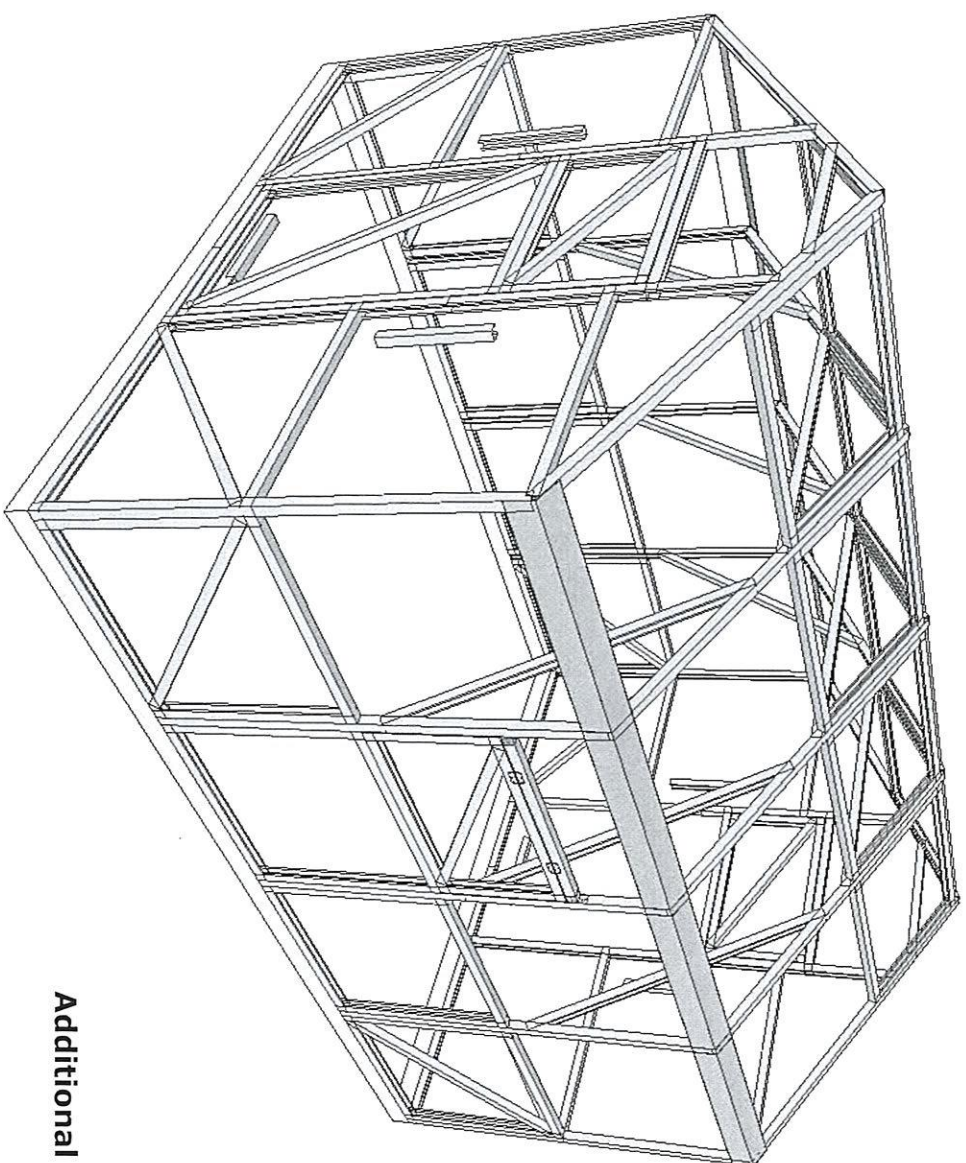


**WEISA**

Assembly step 9-11

Rasēja		20.03.2024
Pasūtītājs		





Additional side window installation for greenhouse

Greenhouse Smart 2x3 meter

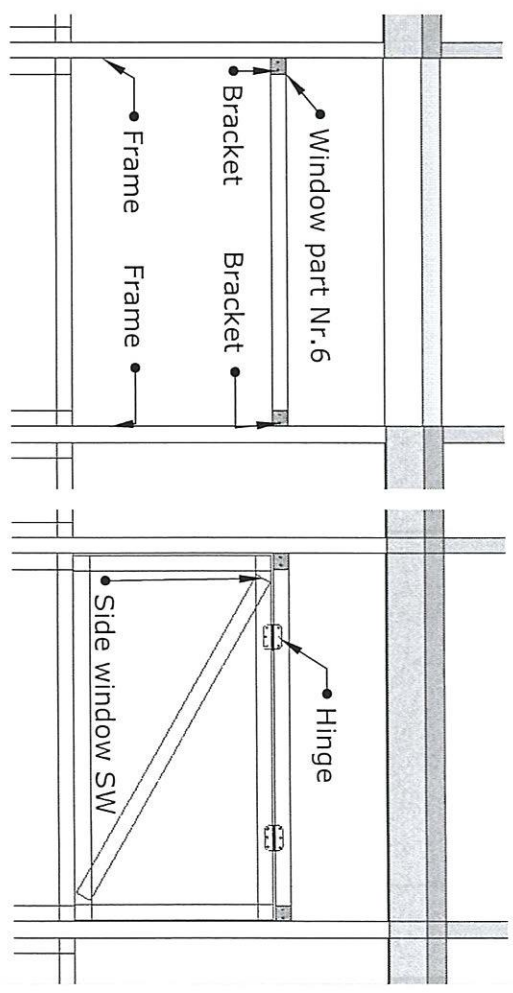
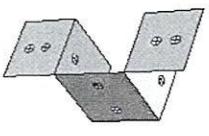
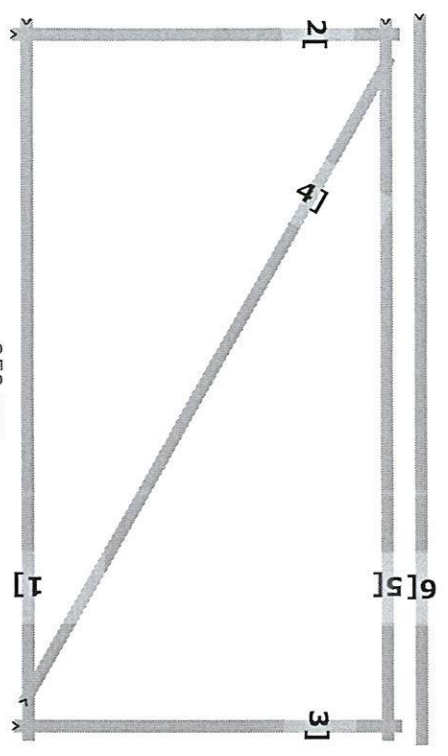


Side window installation

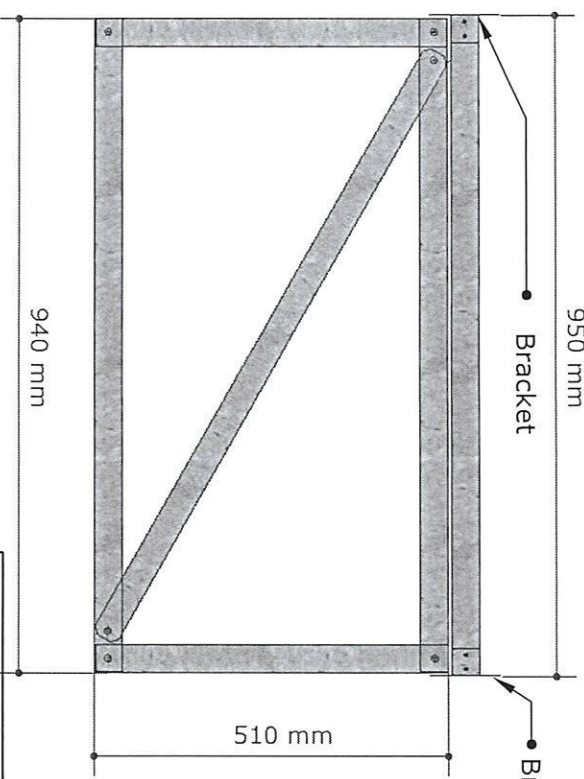
Rasēja		20.03.2024	
Pasūtītājs			

Drawing	Greenhouse side window	Quantity	optional	Screws	12
---------	------------------------	----------	----------	--------	----


Item ID	QTY	Length
2,3	2	508.0 mm
4	1	~ 969.8 mm
1,5	2	~ 938.0 mm
6	1	~ 950.0 mm
<b>Meterage</b>		<b>4.812</b>

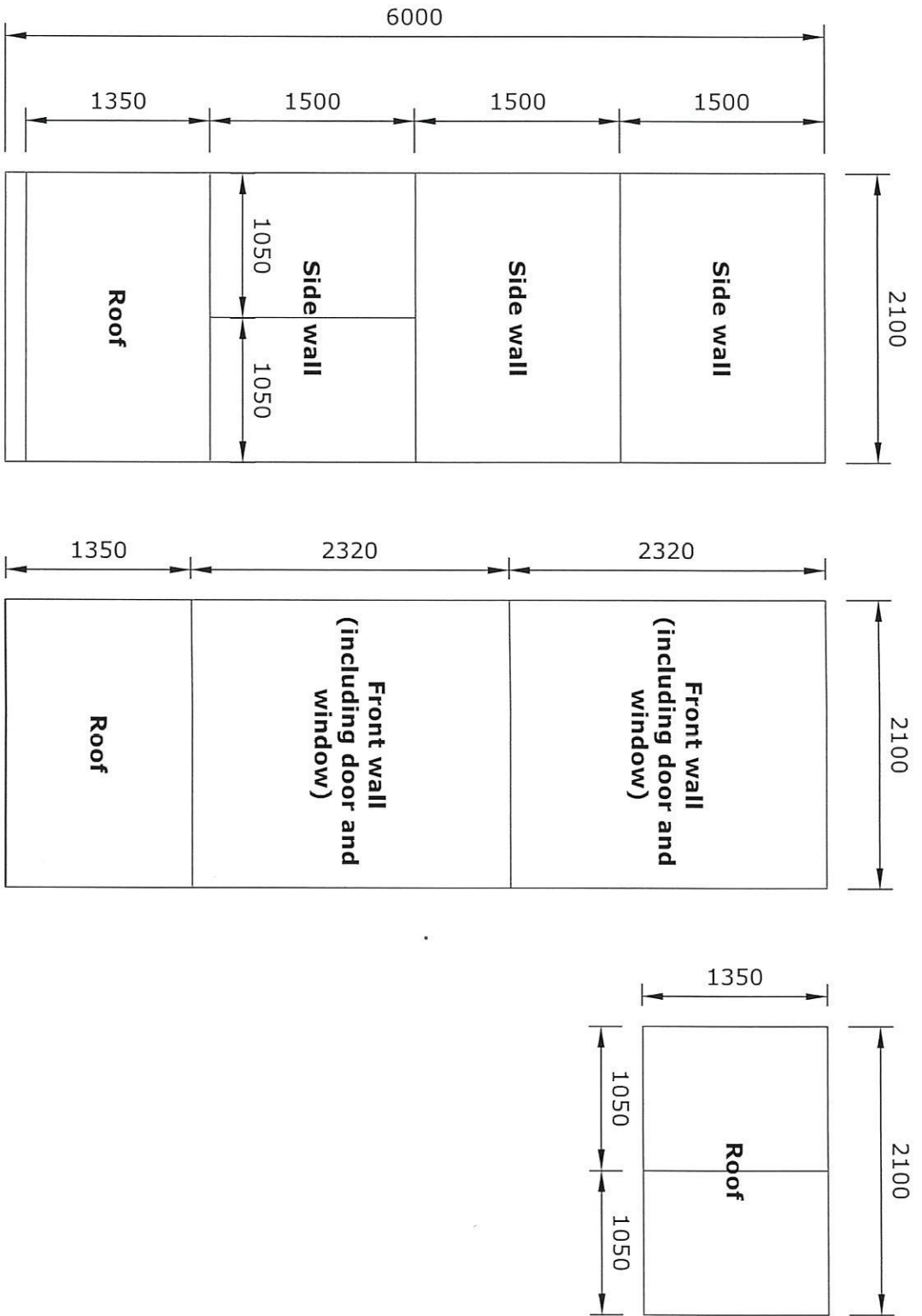



1. Install window part Nr.6 at your desired height between greenhouse frames "Frame" using the brackets included in package
2. Screw side window "SW" to part Nr.6 using hinges and screws included in the package



Bracket indicates the orientation of the profile

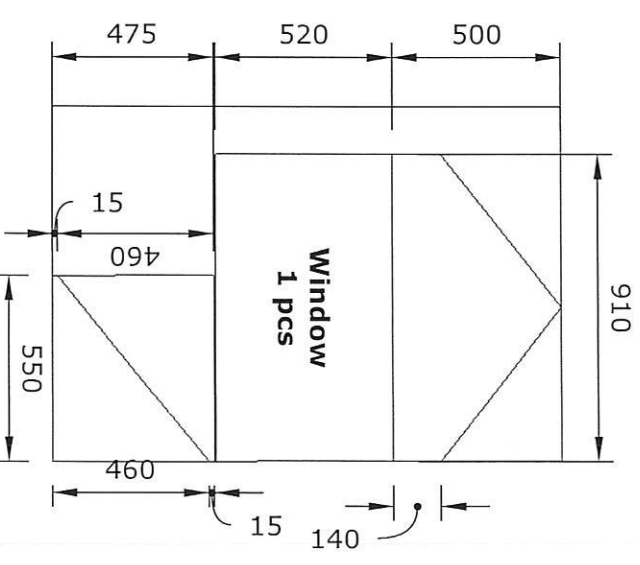
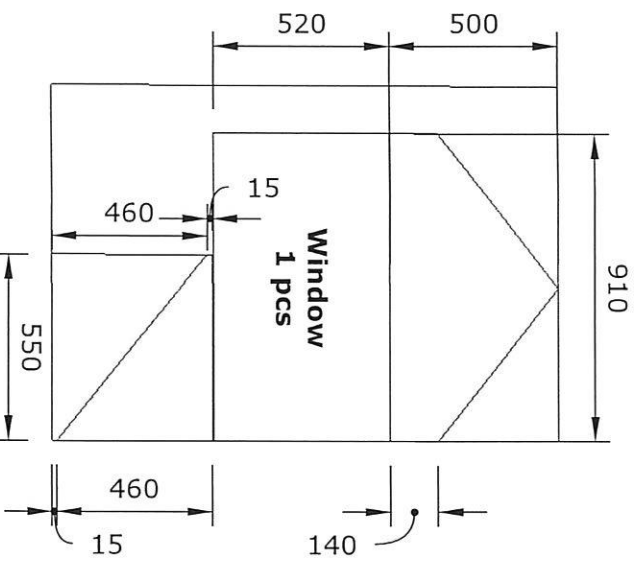
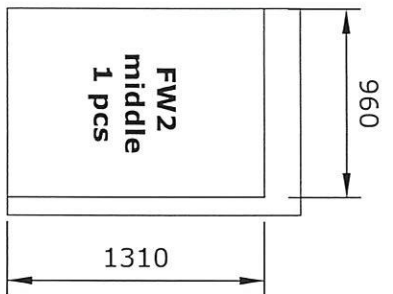
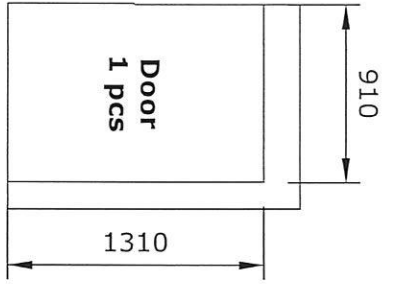
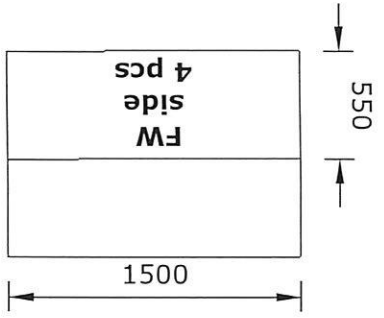
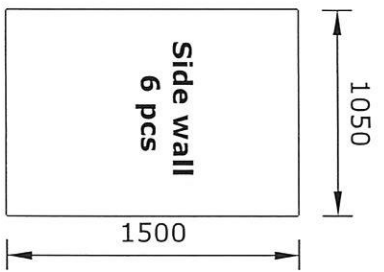
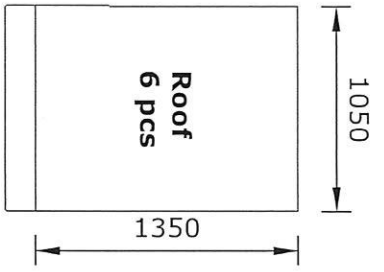
<b>Greenhouse Smart 2x3 meter</b>			Side window installation
Rasēja	Pasūtītājs		
	20.03.2024		<b>Lapa 16</b>



<b>Greenhouse Smart 2x3 meter</b>			 <b>WEISA</b> Polycarbonate layout un cut sheets	
Rasēja		20.03.2024		
Pasūtītājs				<b>Lapa 17</b>



**Pre cut polycarbonate**  
 Cut to size polycarbonate (1 boxes = 12 sheets /1,5x1,05) + polycarbonate for window) - total of 2 boxes (24 sheets)



Greenhouse Smart 2x3 meter



Raseņa		20.03.2024		Polycarbonate lay out - cut to size	Lapa 18
Pasūtītājs					